



GUINDASTES **CENTRO OESTE**

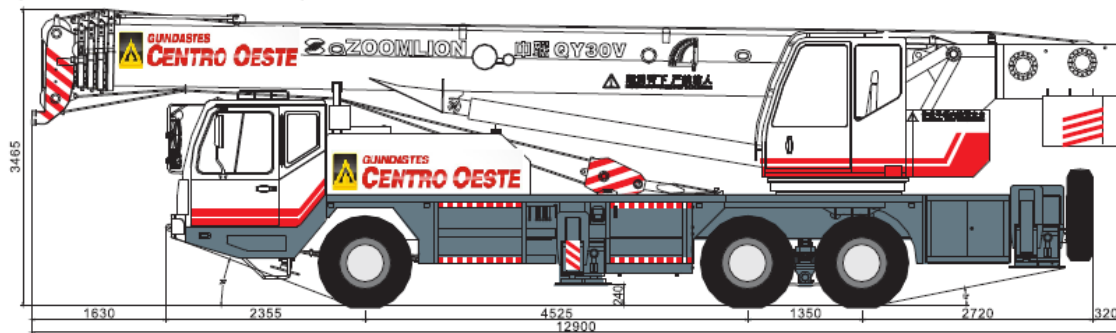
Guindaste Telescópico sobre pneus, da marca
ZOOMLION modelo QY30V5 com capacidade de 30
Toneladas.

Medidas do Equipamento:

WWW.CENTROOEST.COM.BR

27-30383860 71-36225018

Overall dimensions diagram of QY30V532 under travelling conditions
(dimensional unit: mm)

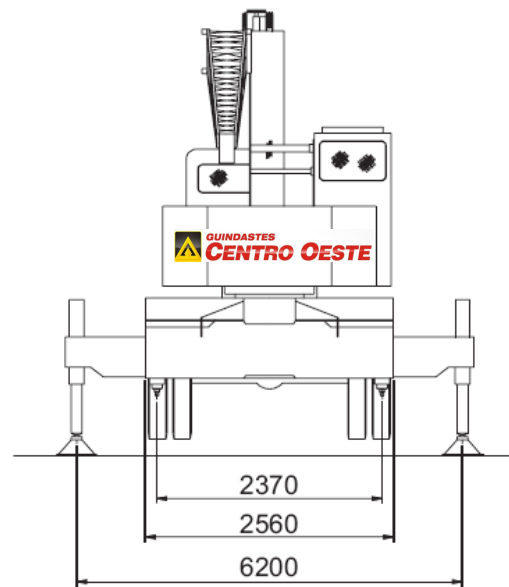


Altura: 3.46m

Largura: 2.56m

Comprimento: 12.90m

3 Eixos: sendo 1 direcional



WWW.CENTROOEST.COM.BR

27-30383860 71-36225018



GUINDASTES CENTRO OESTE

Tabela de Carga Lança.

Com patolas totalmente estendidas.

QY30V532 Table of Rated Lifting Capacity (I)

UNIT kg

Hoisting rate (t)	Main boom (m)							Hoisting rate (t)	Main boom (m)						Hoisting rate (t)	Main boom (m)										
	Cylinder I extended to 100%, outriggers fully extended, sidewise and rear-side operations								Cylinder I extended to 50%, outriggers fully extended, sidewise and rear-side operations							Cylinder I extended to 0%, outriggers fully extended, sidewise and rear-side operations										
	10.6	14.3	18.0	23.5	29.0	34.5	40.0		10.6	14.3	19.8	25.3	30.8	36.3		10.6	16.1	21.6	27.1	32.6						
3.0	30000	27000	22000					3.0	30000	27000					3.0	30000	16500									
3.5	30000	27000	22000					3.5	30000	27000					3.5	30000	16500									
4.0	28000	26000	20000	16500				4.0	28000	26000	16500				4.0	28000	16500	11500								
4.5	25000	24300	18800	15600				4.5	25000	24300	15500				4.5	25000	18500	11500								
5.0	23000	22400	17300	14700				5.0	23000	22400	14500	11500			5.0	23000	16500	11500								
5.5	21000	20800	18000	13900	11700			5.5	21000	20800	14000	11500			5.5	21000	18000	11500	8200							
6.0	18500	18800	14800	12800	11000			6.0	18500	18800	13500	11500			6.0	18500	15800	11500	8200							
6.5	16500	17000	13900	12200	10500			6.5	16500	17000	12800	11500	8200		6.5	16500	15300	11500	8200							
7.0	14600	14700	13000	11400	9900	8400		7.0	14600	14700	12000	11500	8200		7.0	14600	13500	11500	7500							
7.5	13000	13200	11900	10400	9200	7900		7.5	13000	13200	10700	11500	8100		7.5	13000	12000	10800	7300	6300						
8.0	11600	11800	11300	9900	9000	7800		8.0	11600	11800	9700	11500	8000	6300	8.0	11600	10000	10000	6300	6300						
9.0		9500	9400	8900	8200	7200	6300	9.0		9500	8500	10000	7400	6300	9.0		8500	9000	5800	5700						
10.0		7800	7700	8100	7400	6600	5750	10		7800	7200	8800	6700	5750	10		7200	8500	5200	5100						
11.0		6500	6400	7100	6750	6100	5350	11		6500	6200	7500	6300	5300	11		6200	7500	4900	4700						
12.0			5400	6000	6200	5700	4950	12			5200	6300	5700	4900	12		5200	6300	4500	4250						
13.0			4500	5200	5450	5200	4750	13			4600	5600	5400	4600	13		4600	5600	4100	4000						
14.0			3750	4450	4800	4800	4350	14			3900	4900	5000	4250	14			4900	3800	3700						
15.0				3800	4200	4450	4250	15			3400	4250	4600	4000	15			4250	3600	3200						
16.0					3200	3600	3850	3850	16				3700	4000	3700	16			3700	3100	3000					
18.0						2400	2800	3000	3200	18				2900	3000	3100	18			2900	2500	2600				
20.0							2100	2400	2600	20					2200	2350	2500	20			2000	2300				
22.0								1600	1850	2050	22					1700	1800	1900	22			1600	2000			
24.0									1150	1400	1600	24						1400	1450	24				1700		
26.0										1050	1250	26							1050	1150	26				1300	
28.0										750	960	28								750	900	28				1100
30.0										700		30									650	30				
I	0	3.7	7.4	7.4	7.4	7.4	7.4	I	0	3.7	3.7	3.7	3.7	3.7	I	0	0	0	0	0						
II	0	0	0	5.5	11.0	16.5	22.0	II	0	0	5.5	11.0	16.5	22.0	II	0	5.5	11.0	16.5	22.0						
Parts of line	8	6	6	4	4	3	3	Parts of line	8	6	4	4	3	3	Parts of line	8	6	4	3	3						
Hook	30t Hook							Hook	30t Hook						Hook	30t Hook										

WWW.CENTROOEST.COM.BR

27-30383860 71-36225018



GUINDASTES CENTRO OESTE

Tabela de Carga:

QY30V532 Table of Rated Lifting Capacity (II)

UNIT kg

Hoisting rate (t)	Main boom (m)						
	Cylinder I extended to 100%, outriggers semi-extended, sidewise and rearward operations						
	10.6	14.3	18.0	23.5	29.0	34.5	40.0
3.0	30000	27000	21000				
3.5	26000	26000	19000				
4.0	23000	22000	18000	15000			
4.5	18000	18000	16000	14000			
5.0	16000	16000	15000	13000			
5.5	13000	13000	12500	12000	10500		
6.0	11000	11000	10500	11000	10000		
6.5	9500	9000	9000	9500	9200		
7.0	8200	8000	7500	8500	8600	8000	
7.5	6800	6600	6500	7200	7500	7300	
8.0	6200	4500	5500	6500	7000	7000	
9.0		3500	4500	5000	5500	6000	6000
10.0		2800	3500	4000	4500	4800	5000
11.0			2500	3200	3600	4000	4200
12.0			2000	2500	3000	3300	3500
13.0			1500	2000	2500	2600	3000
14.0			1100	1700	2000	2300	2500
15.0				1300	1600	1800	2100
16.0				1000	1300	1600	1800
18.0					800	1100	1200
20.0						700	900
22.0							600
I	0	3.7	7.4	7.4	7.4	7.4	7.4
II	0	0	0	5.5	11.0	16.5	22.0
Parts of line	8	6	6	4	4	3	3
Hook	30t Hook						

WWW.CENTROOEST.COM.BR

27-30383860 71-36225018



GUINDASTES

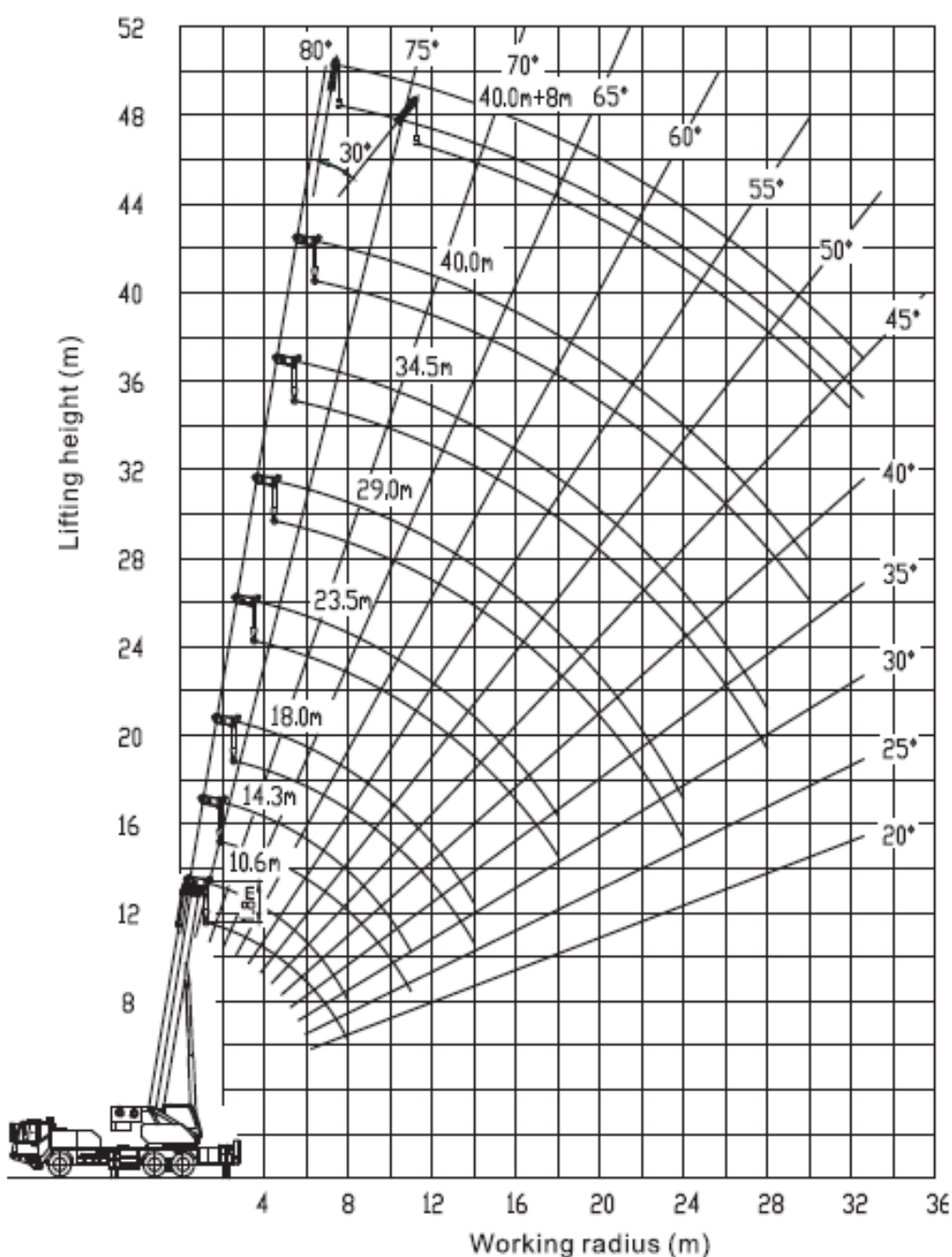
CENTRO OESTE

Gráfico de Carga:

WWW.CENTROOEST.COM.BR

27-30383860 71-36225018

QY30V532 Lifting height curve





GUINDASTES
CENTRO OESTE

Tabela de Carga JIB:

QY30V532 Table of Rated Lifting Capacity (III)

UNIT kg

Main boom elevation angle (°)	Main boom + Fly jib			
	With outriggers fully extended			
	40.0+80(m)			
	Rearside and sidewise	Front side	Rearside and sidewise	Front side
80	3000	3000	1500	1500
78	3000	3000	1500	1500
76	3000	3000	1500	1500
74	2900	2750	1500	1500
72	2800	2250	1450	1450
70	2650	1800	1400	1400
68	2500	1450	1350	1200
66	2250	1150	1300	980
64	1900	900	1270	760
62	1650	660	1240	580
60	1400	450	1210	380
58	1200		1080	
56	1030		930	
54	870		800	
52	730		650	
50	600		530	
45	320			
Parts of line	1			
Hook	3t Hook			

WWW.CENTROOEST.COM.BR

27-30383860 71-36225018